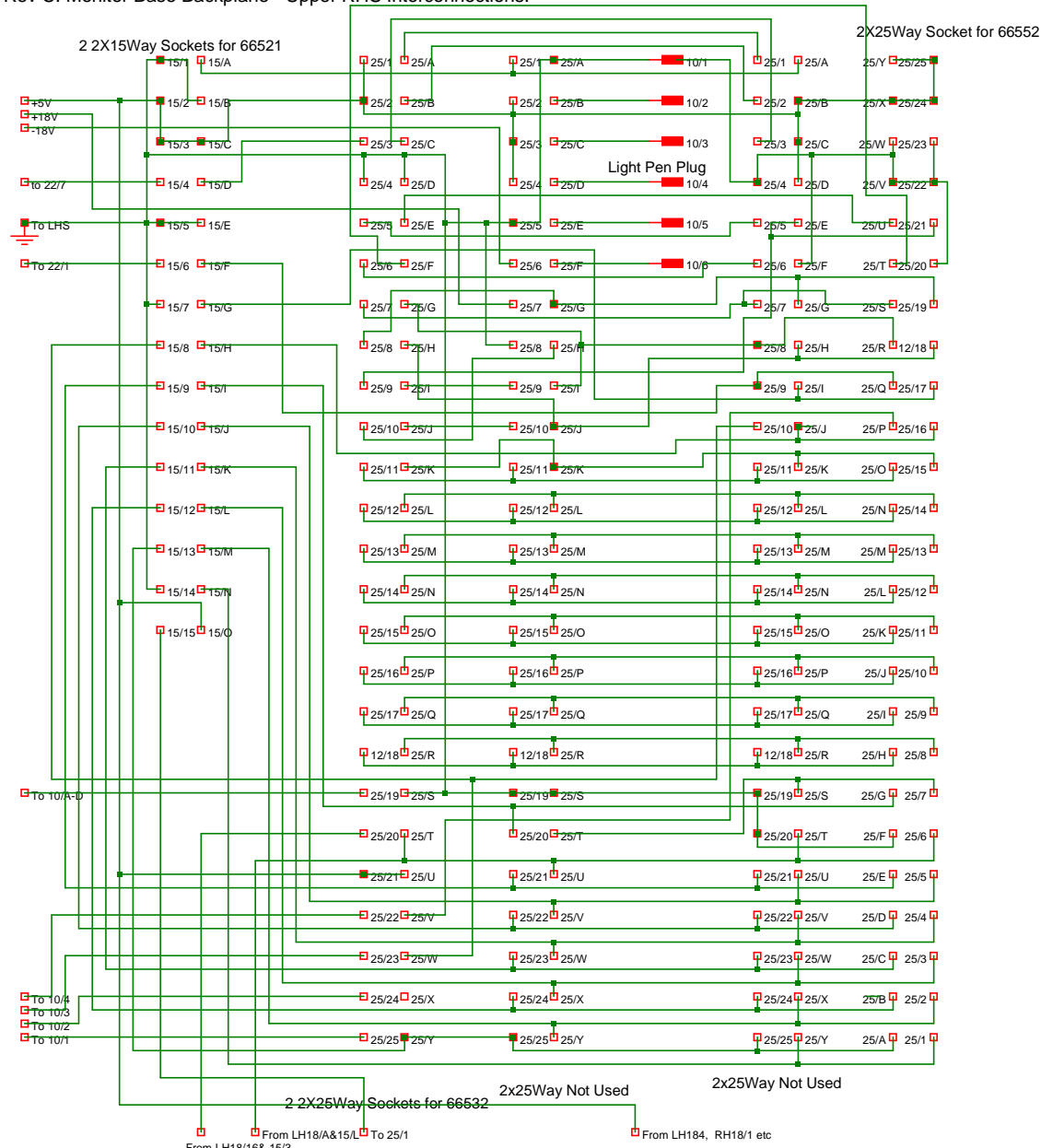
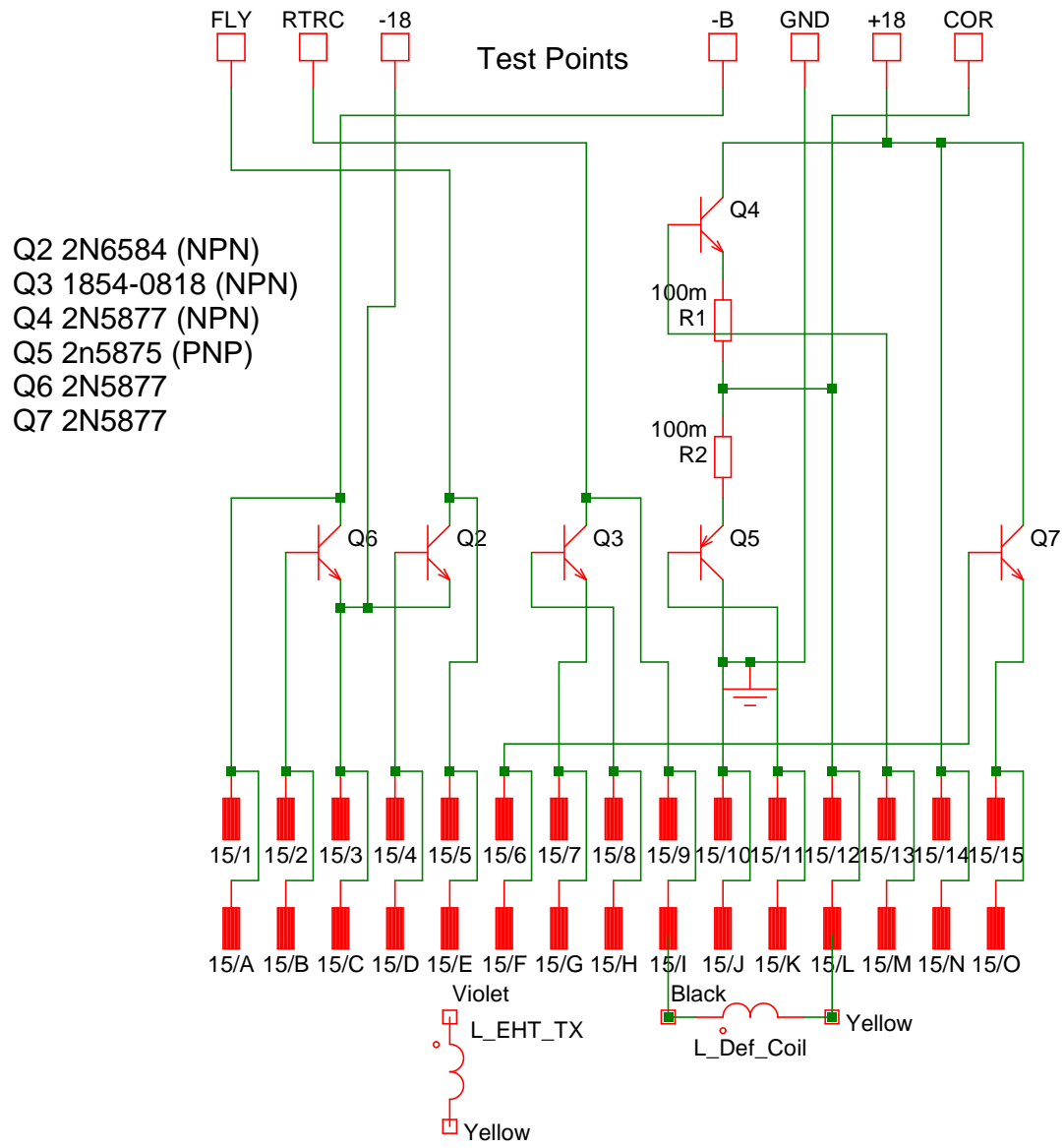


98780-66504 Rev C. Monitor Base Backplane - Upper RHS Interconnections.





98780-66513 Power Transistor Heat Sink-Board