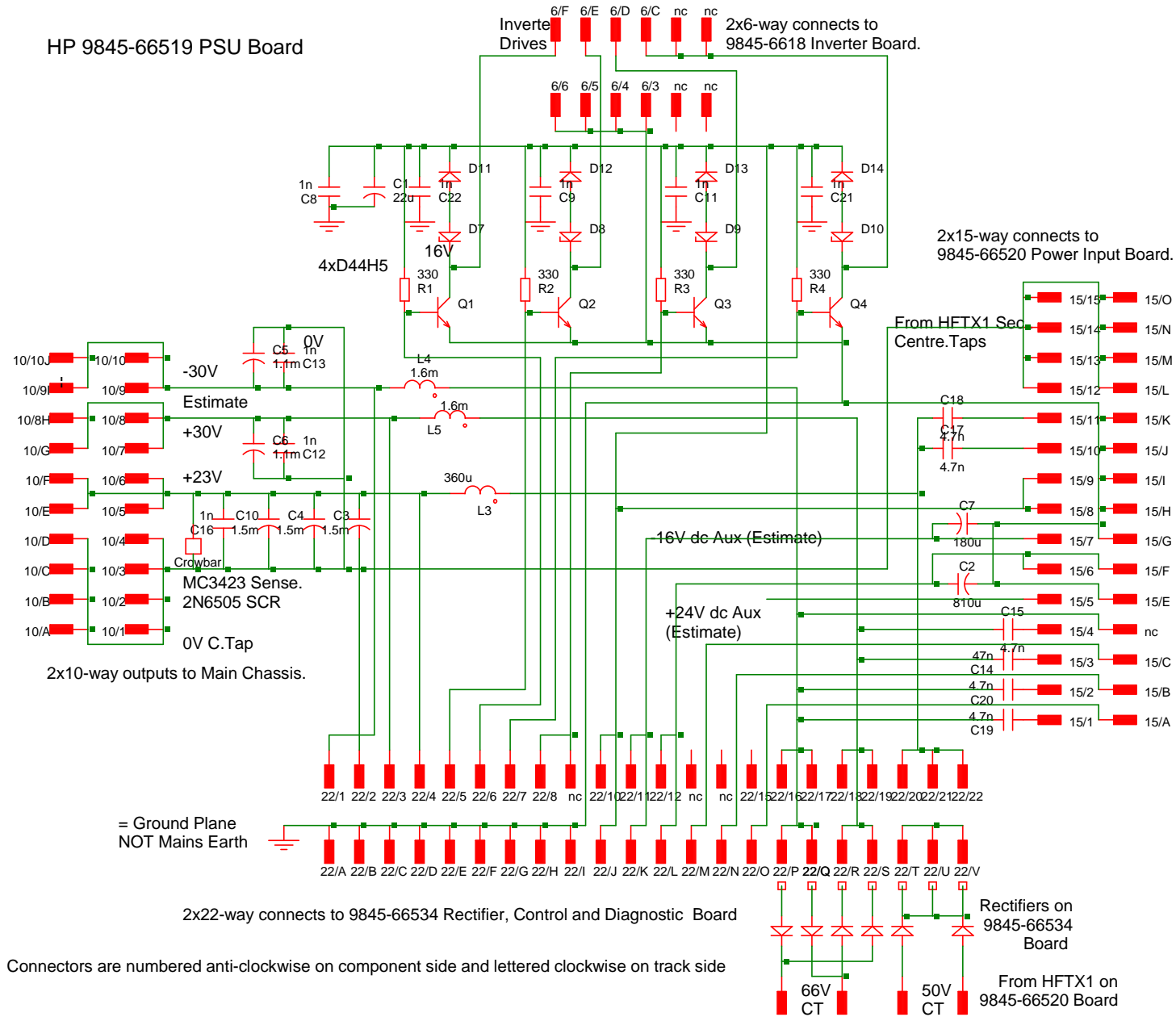


HP 9845-66519 PSU Board



Connectors are numbered anti-clockwise on component side and lettered clockwise on track side